



Ex d Enclosure EJB

Enclosures of EJB series in aluminium are certified for use in Zone 1 and 2 (Zone 21 and 22). They can be fitted with nearly all electrical equipment.

Technical specifications

Explosion protection

Ex de IIB T3-T4-T5

Ex DA21 IP 66 T85° C - T200° C

Rated voltage

max. 500 V

Rated current

max. 310 A

Protection

IP66

Material

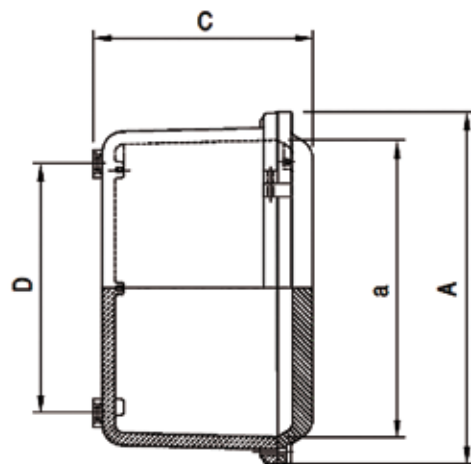
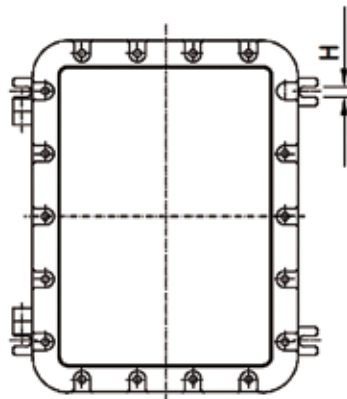
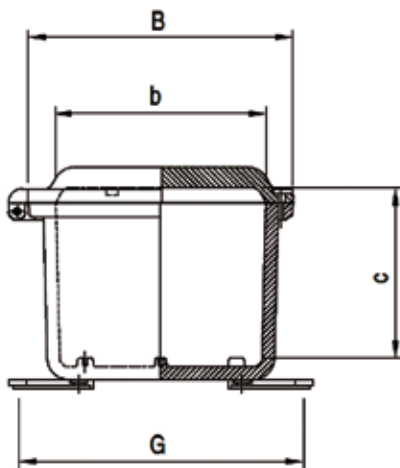
Aluminium

Certification

CESI 02 ATEX 075

Norm

EN 60079-1



	EJB 11	EJB12	EJB123	EJB13	EJB15	EJB16	EJB21	EJB22	EJB23	EJB30	EJB31	EJB41	EJB51	EJB61	EJB63	EJB64	EJB81	EJB91
A	175	173	300	260	240	164	285	300	310	410	415	440	566	670	670	660	872	963
B	175	111	111	200	150	114	245	200	260	315	315	210	366	470	470	460	264	660
C	132	106	104	91	70	53	179	234	185	178	259	126	269	372	245	208	202	472
a	115	143	270	200	200	134	220	235	250	351	351	410	500	550	600	600	820	844
b	115	81	81	140	110	84	180	135	196	251	251	180	300	400	400	400	210	544
c	93	76	79	56	56	38	133	178	145	119	210	100	207	320	188	151	155	369
D	173	195	330	162	-	171	160	195	198	294	294	470	360	500	500	500	176	700
G	78	83	83	195	-	-	245	188	250	295	295	180	336	440	440	455	885	650
H	13	10	10	12	-	7	13	13	12	13	13	12	13	13	13	13	13	18
Kg	4	5	6	7	3	2	13	10	15	20	24	12	36	58	49	47	36	214