



## Ex d enclosure GUB

The enclosures of GUB series of aluminium are suitable for Ex- ne 1 and 2. They can be fitted with nearly all electrical equipment. Normally they are supplied unpainted. Drillings, cable glands, fittings are supplied on request.

## Technical specifications

### Explosion protection

Ex II 2 GD Ex d IIC T6  
Ex DA 21 IP66 T85°C-T200°C

### Rated voltage

12-440 V DC 24-690 V AC

### Frequenz

50/60 Hz

### Protection

IP66

### Material

Alloy (copper free)

### Certificate

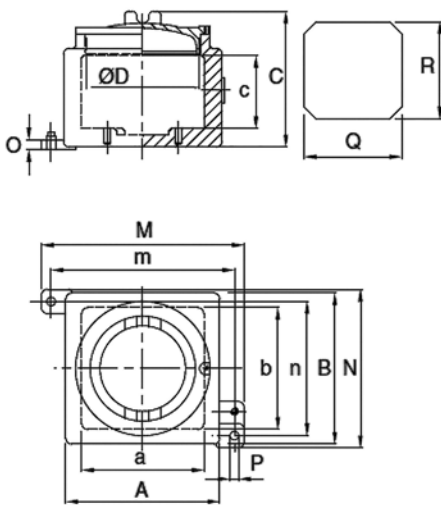
BKI 06 Atex 0051

### Temperatur range

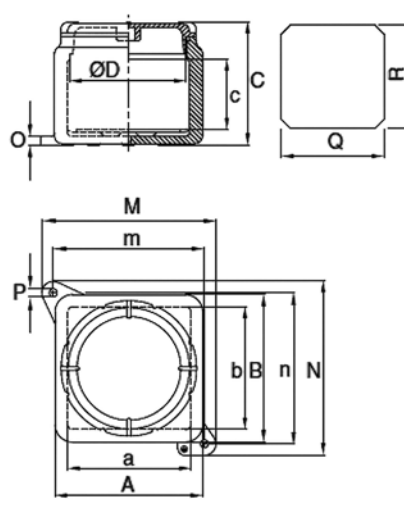
-60° C to +130° C GUB  
-50° C to +130° C GUBW

GUBW's are with window

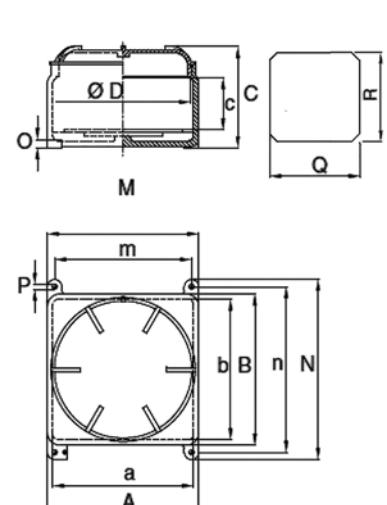
GUB00



GUB0 - GUB1 - GUB23



GUB02 - GUB23 - GUB4 - GUB5



		GUB00	GUB0	GUB1	GUB02 GUBW02	GUB23 GUBW23	GUB03 GUBW03	GUB04 GUBW04	GUB5
Dimensions [mm]	A	126	168	196	230	270	305	420	600
	a	100	140	170	200	242	273	390	550
	B	126	168	198	230	315	280	420	600
	b	100	140	170	200	282	248	390	550
	C	112.5	138.5	150	165	181	238	281	365
	c	52	81	87.5	98	101.5	127	147.5	207.5
	Ø D	91	133.5	158,5	196	220	246	373	543
Attachment [mm]	M	166	198	226	230	310	305	500	600
	m	150	172	200	195	275	270	460	550
	N	130	198	226	302	350	338	420	675
	n	110	172	200	265	315	308	380	630
	O	8	10	12	12	14	25	34	25
	P	7	9	9	12	12	13	14	10
Grandplate [mm]	Q	80	110	144	150	154	220	280	490
	R	80	110	144	150	154	200	280	490
Weight [Kg]		2.0	3.5	5.0	7.0	10.5	10.5	60.0	77.0